

Frsky DHT Bind Board alternative

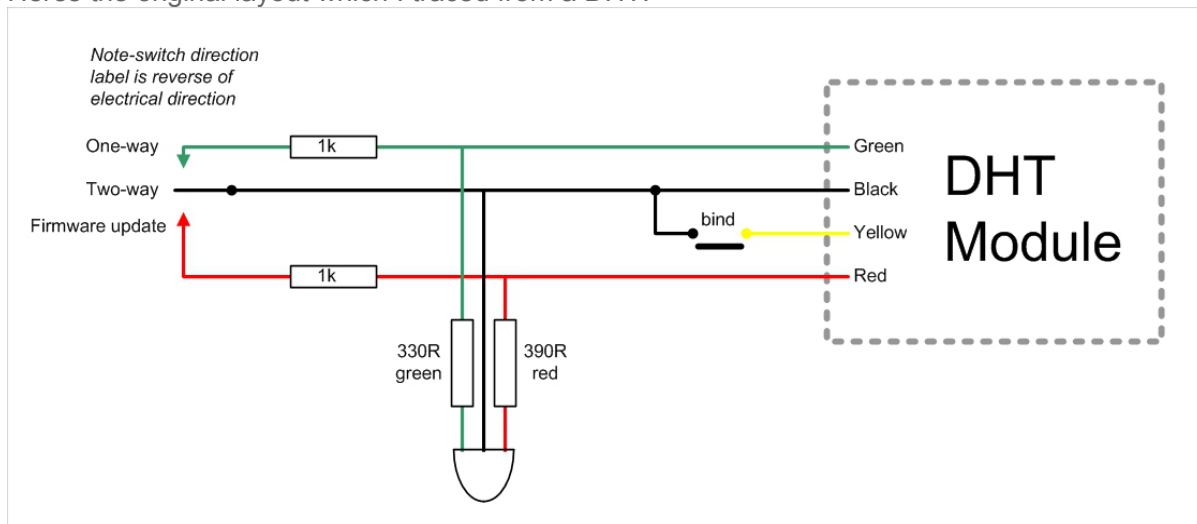
For some time now I've been struggling to finish a really tiny 2ch propo 'project' transmitter for my smaller gliders, and I'd intended using the original V8HT 1way module. I keep losing interest in the project so some time has passed and now, as V8's are no longer available I'd prefer a 2way DHT - but its so small that fitting everything in is a real challenge. If I'm very careful fitting the case together, there is just enough room to cram in a 2S 500mah lipo, the encoder with no pins, and a disrobed DHT.

The bind board is a problem though.

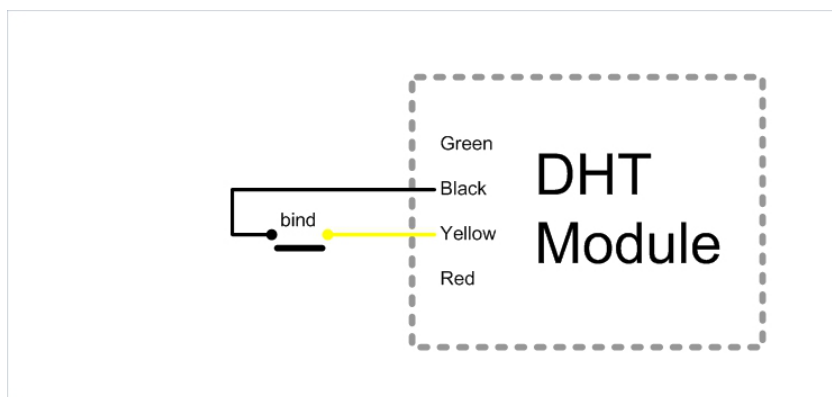
So this got me thinking about the DHT bind board and just what is necessary and what isnt. The DHT bind board is quite a bit more complicated than the V8HT. I concluded that:

- 1) We dont absolutely need the LED to indicate power-on.
- 2) we dont need the LED to indicate bind mode and low-power mode, because the module beeps.
- 3) if the transmitter will only ever be used with 2way receivers, we dont need the toggle switch.
- 4) the only essential is the bind button!

Heres the original layout which I traced from a DHT:



...and heres the 'bare essentials' version which is much easier to fit in a cramped space. The original heavy wiring can be replaced with thin twin, I used thin servo cable with one wire peeled off & discarded. A small panel-mount button is fitted to the tx panel:



Cheers
Phil_G
philg@talk21.com